

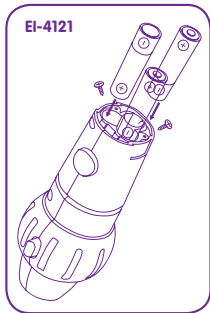
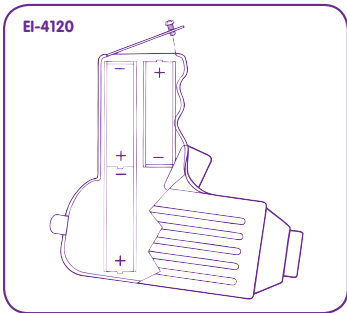


BATTERY INSTALLATION AND INSTRUCTIONS

1. Open the battery compartment door on the Power Drill and the Power Screwdriver by loosening the screw holding it in place.
2. Install three fresh AA-cell (DC 1.5v) batteries into each battery compartment, following the diagram showing correct battery installation.
 - Do not use rechargeable batteries.

- Do not mix old and new batteries.
 - Do not mix different types of batteries: alkaline, standard (carbon zinc) or rechargeable (nickel-cadmium) batteries.
 - Non-rechargeable batteries are not to be recharged.
 - Rechargeable batteries are to be removed from the toy before being charged.
 - Rechargeable batteries are only to be charged under adult supervision.
 - Only batteries of the same or equivalent type as recommended are to be used.
 - Batteries are to be inserted with the correct polarity.
 - Exhausted batteries are to be removed from the toy.
 - The supply terminals are not to be short-circuited.
 - To prevent corrosion and possible damage to the product, it is recommended to remove the batteries from the unit if it will not be used for more than two weeks.
3. Close the battery compartment door and tighten the screw.
 4. Cleaning instructions: Clean product with a damp or dry cloth—do not immerse or spray any liquid or water on product.

EI-4120/EI-4121
Ages 3+



WARNING:

CHOKING HAZARD—Small parts.
Not for children under three (3) years.



Developed in Southern California by Educational Insights.
© Educational Insights, Inc., Gardena, CA (U.S.A.). All rights reserved. Learning Resources Ltd., Oldmedow Road, King's Lynn, Norfolk, PE30 4JX, UK. Please retain this information. Made in China.

www.educationalinsights.com



Educational
Insights®